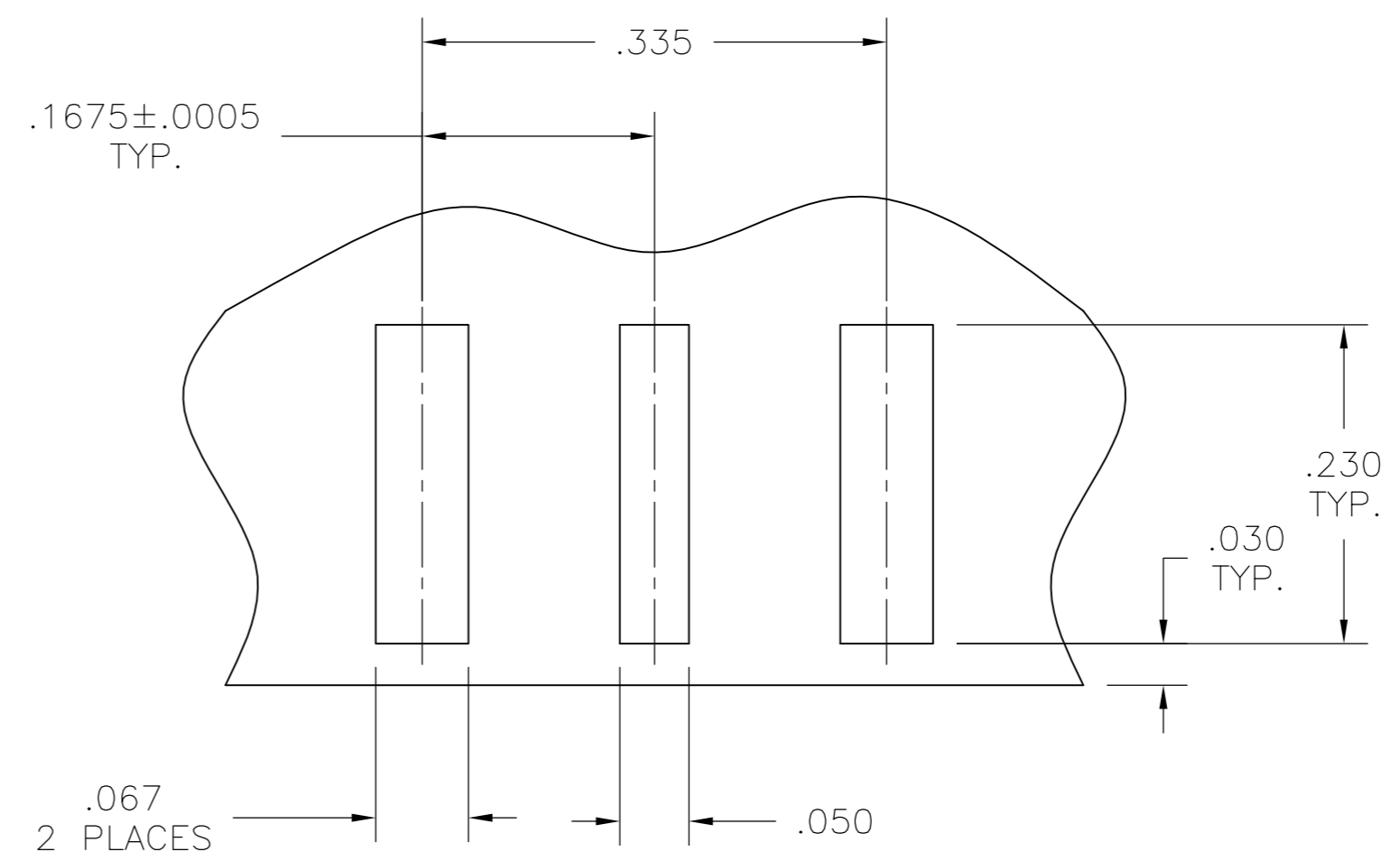
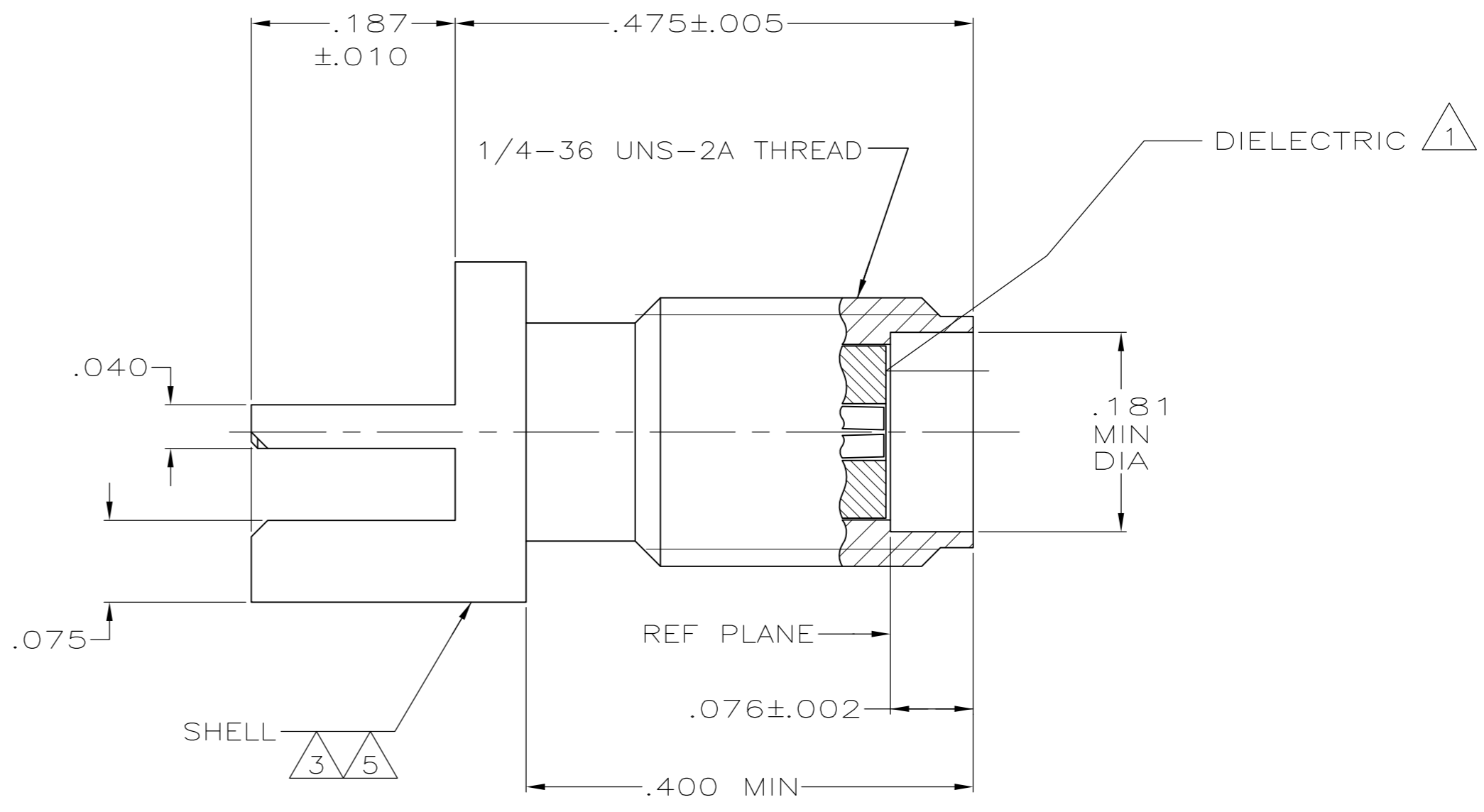
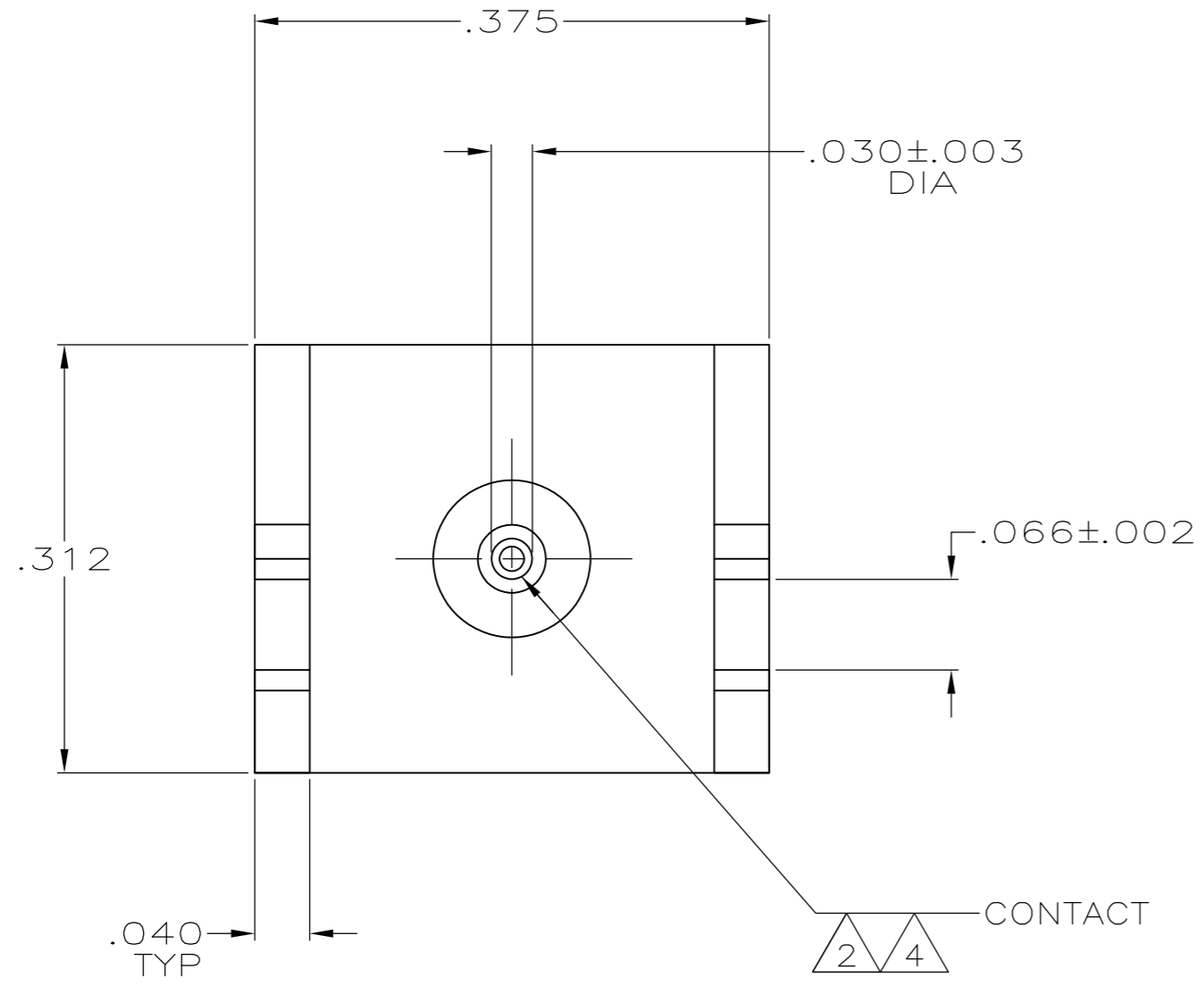


THIS DRAWING IS UNPUBLISHED. RELEASED FOR PUBLICATION
 © COPYRIGHT BY TYCO ELECTRONICS CORPORATION. ALL RIGHTS RESERVED.

LOC		DIST		REVISIONS					
AJ		16		P	LTR	DESCRIPTION	DATE	DWN	APVD
				A		REV PER ECO 08-007085	25MAR2008	DW	BW



- 1 PTFE
- 2 BERYLLIUM COPPER
- 3 BRASS
- 4 GOLD PLATE
- 5 TIN PLATE

RECOMMENDED PCB LAYOUT FOR 62.5" (1/16") BOARD

5449692-1
 PART NUMBER

THIS DRAWING IS A CONTROLLED DOCUMENT.		DWN	01FEB2005	Tyco Electronics Corporation Harrisburg, PA 17105-3608
DIMENSIONS: INCHES		CHK	01FEB2005	
TOLERANCES UNLESS OTHERWISE SPECIFIED:		L. VARELA - DOCK5 J. HAVENER D. CAMELIO 01FEB2005		NAME
0 PLC ± -	MATERIAL 1 2 3 FINISH 4 5	PRODUCT SPEC		ASSEMBLY, JACK LAUNCHER, SMA
1 PLC ± -		APPLICATION SPEC		SIZE CAGE CODE DRAWING NO RESTRICTED TO
2 PLC ± -		WEIGHT		A2 00779 C=5449692
3 PLC ± .005		CUSTOMER DRAWING		SCALE 8:1 SHEET 1 OF 1 REV A
4 PLC ± -				
5 ANGLES ± -				

5449692